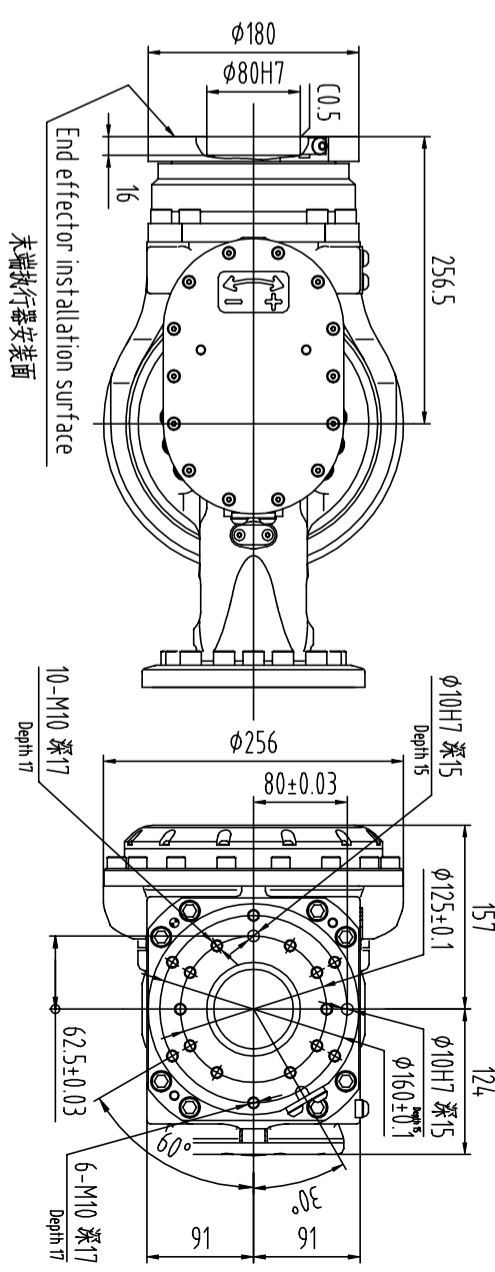
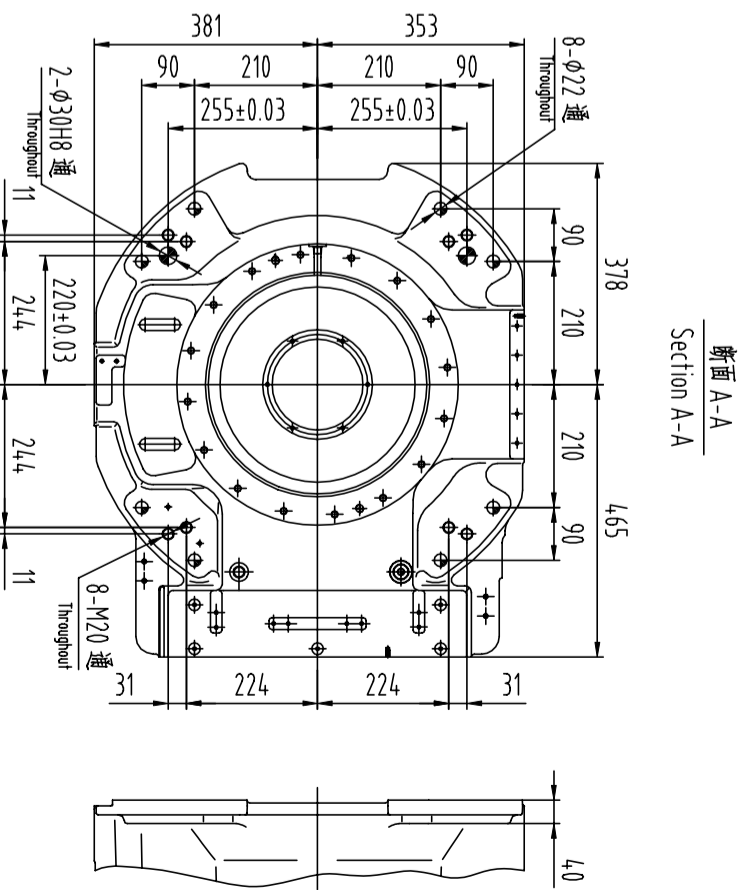
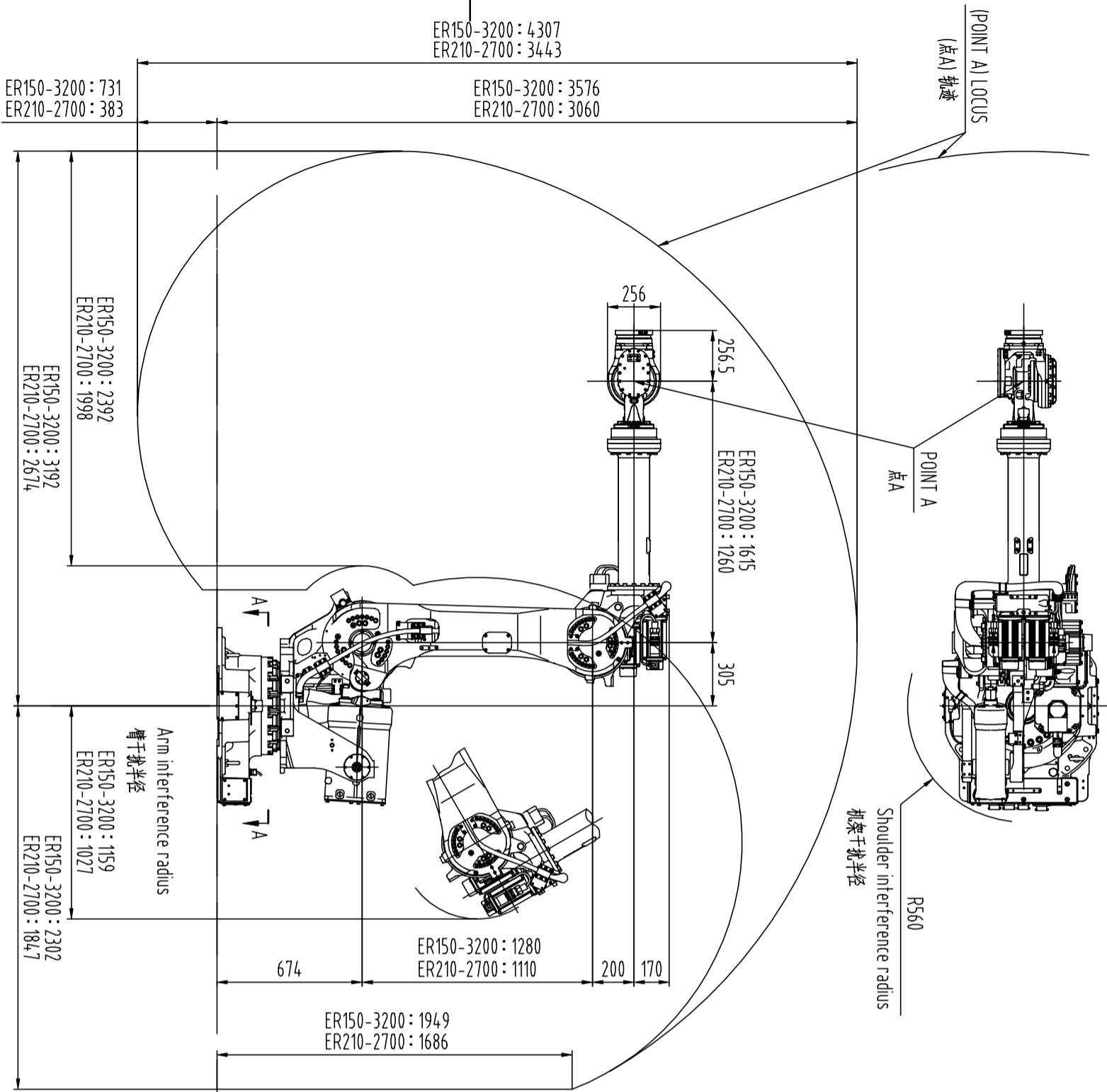


007E-3200  
007E-2700



零件代号 Part Code	
通用零件登记 Return/General part registration	
插图 Drawing	
图号 Drawing number	
图名 Drawing name	
日期 Date	

ER150-3200: 4307 ER210-2700: 3443	ER150-3200: 3576 ER210-2700: 3060	ER150-3200: 731 ER210-2700: 383	ER150-3200: 1615 ER210-2700: 1260	ER150-3200: 2392 ER210-2700: 1998	ER150-3200: 3192 ER210-2700: 2674	ER150-3200: 1280 ER210-2700: 1110	ER150-3200: 1949 ER210-2700: 1686	ER150-3200: 2302 ER210-2700: 1847	ER150-3200: 1159 ER210-2700: 1027	ER150-3200: 305 ER210-2700: 170	ER150-3200: 256 ER210-2700: 170	ER150-3200: 674 ER210-2700: 170	ER150-3200: 200 ER210-2700: 170
--------------------------------------	--------------------------------------	------------------------------------	--------------------------------------	--------------------------------------	--------------------------------------	--------------------------------------	--------------------------------------	--------------------------------------	--------------------------------------	------------------------------------	------------------------------------	------------------------------------	------------------------------------

审核 Review	设计 Design	制图 Drawing	日期 Date	重量(kg) Weight	比例 Scale	图号 Drawing number	图名 Drawing name	图例 Legend	图幅 Sheet	共几页 Total page	第几页 Page	埃夫特智能装备股份有限公司 EFORT Intelligent Equipment Co., Ltd	运动范围图 Robot workspace	ER210-2700 ER150-3200
--------------	--------------	---------------	------------	------------------	-------------	----------------------	--------------------	--------------	-------------	-------------------	-------------	-------------------------------------------------------	--------------------------	--------------------------